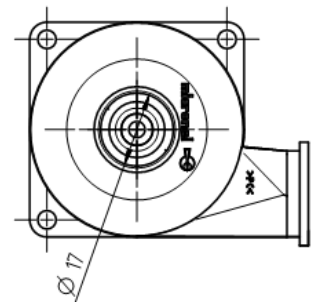
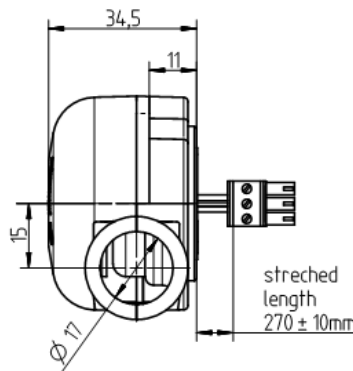
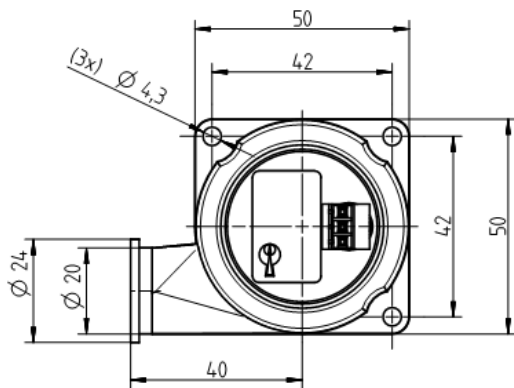
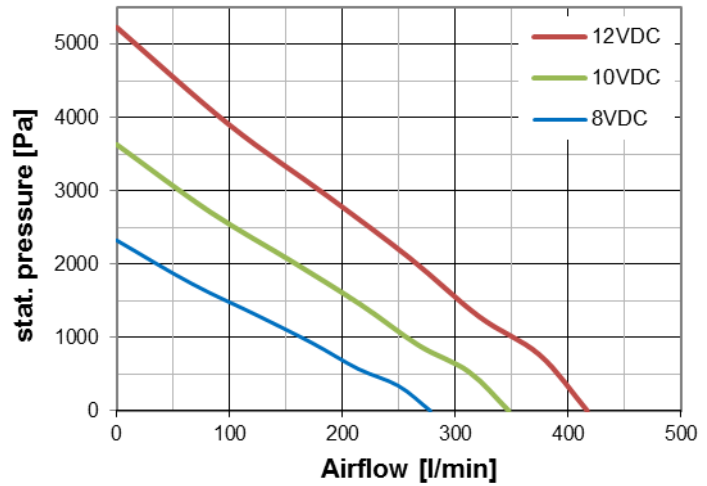
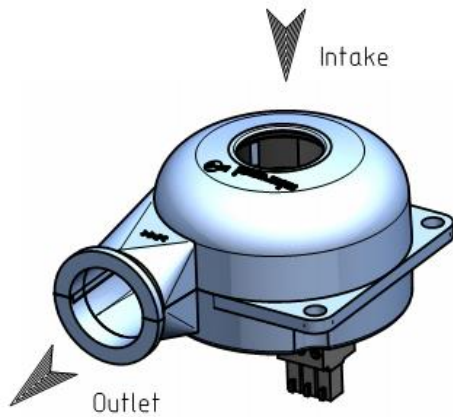


Miniatur Radial Gebläse ohne integrierter Elektronik
Miniature Radial Blower without integrated electronic



Direction of rotation CCW



Technische Daten

Allgemeine Beschreibung

Kompakter Lüfter mit effizientem Motor. Eigenschaften: Material: Gehäuse: PC, Flügelrad: PA. Bürstenloser und sensorloser 3-Phasen Motor ohne integrierter Treiber Elektronik.

Technical data

General description

Compact blower with an efficient motor. Features: Material: housing: PC, impeller: PA. Brushless and sensorless 3-Phase motor without integrated driver electronic.

		U51DL-012KK-5
U_N	VDC	12
U	VDC	8 - 12
I_N freeblowing	mA	2'800
I_N typ. work. point	mA	2'300
I_N static	mA	1'700
P_N typ. work. point	W	30
n freeblowing	min ⁻¹	38'500
n typ. work. point	min ⁻¹	40'400
n static	min ⁻¹	50'600
V freeblowing	l/min	410
V typ. work. point	l/min	190
p work. point	Pa	2'900
p static	Pa	5'200
$LpA_{(WP)}$	dB(A)	58 dB(A) at 1'000 Pa (10 mbar) and 1m distance
T	°C	-20...+40
m	gr	60
Leads	mm	270 (AWG24)
Housing material		PC
Impeller material		PA6
Sleeve Bearing		N/A
Ball Bearing		•
Tacho		N/A

Data's at Density: 1.2kg/m³

Operating Instruction and Warning

U51DL-012KK-5

Electrical connection

Connector type: Phoenix MC1.5-3

AWG	PIN	Description	Colour
24	1	Motorwinding 1	Brown
24	2	Motorwinding 2	Red
24	3	Motorwinding 3	Orange

Blower limits during continuous operation and warning



- Max. allowed temperature on heat sink surface: 65° C
- Maximum speed 45'000 1/min
- Heat sink temperature increase at 12 V, freeblowing 25 K
- Heat sink temperature increase at 12 V, static pressure 45 K
- **Handle only in currentless condition**

Power supply requirement

Ripple voltage < 5%
3000 mA

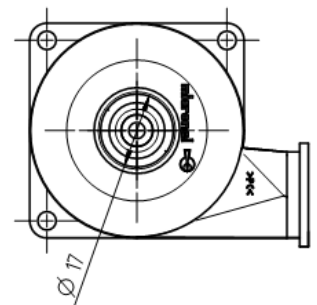
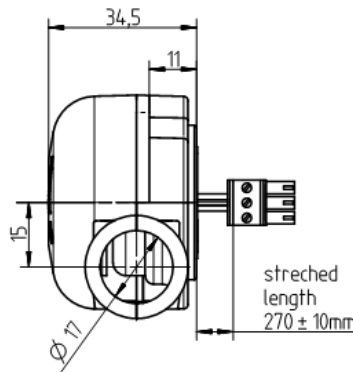
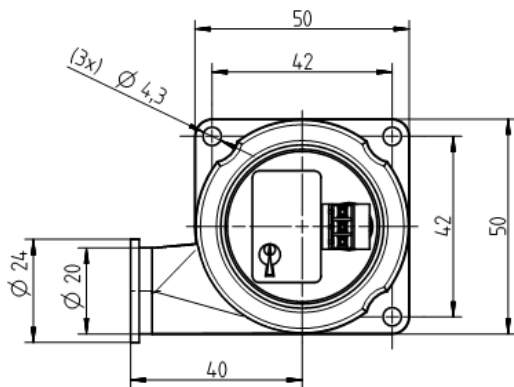
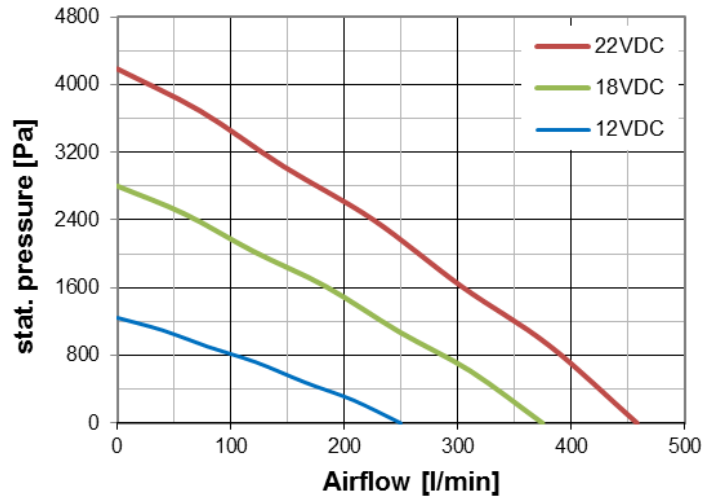
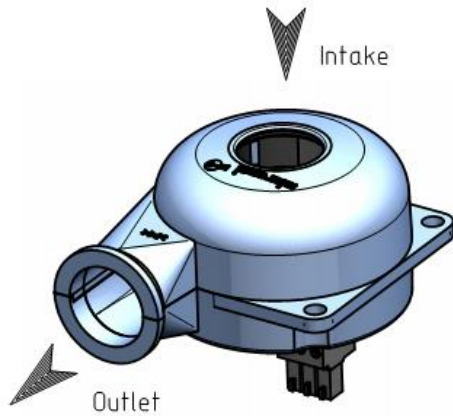
Info

**Specifications are subject to change without notice.
 Specifications on this Datasheet are for reference.**

Version: 24.10.2014 CP

Doc: U51DL-012KK-5 without integrated electronics.doc

Miniatur Radial Gebläse ohne integrierter Elektronik
Miniature Radial Blower without integrated electronic



Direction of rotation CCW



Technische Daten

Allgemeine Beschreibung

Kompakter Lüfter mit effizientem Motor. Eigenschaften: Material: Gehäuse: PC, Flügelrad: PA. Bürstenloser und sensorloser 3-Phasen Motor ohne integrierter Treiber Elektronik.

Technical data

General description

Compact blower with an efficient motor. Features: Material: housing: PC, impeller: PA. Brushless and sensorless 3-Phase motor without integrated driver electronic.

		U51DL-024KK-5
U_N	VDC	22
U	VDC	12.0-22.0
I_N freeblowing	mA	1'600
I_N typ. work. point	mA	1'500
I_N static	mA	900
P_N typ. work. point	W	42
n freeblowing	min ⁻¹	42'000
n typ. work. point	min ⁻¹	42'500
n static	min ⁻¹	50'100
V freeblowing	l/min	460
V typ. work. point	l/min	230
p work. point	Pa	2'400
p static	Pa	4'200
$LpA_{(WP)}$	dB(A)	58 dB(A) at 1'000 Pa (10 mbar) and 1m distance
T	°C	-20...+50
m	gr	60
Leads	mm	270 (AWG24)
Housing material		PC
Impeller material		PA6
Sleeve Bearing		N/A
Ball Bearing		•
Tacho		N/A

Data's at Density: 1.2kg/m³

Operating Instruction and Warning

U51DL-024KK-5

Electrical connection

Connector type: Phoenix MC1.5-3

AWG	PIN	Description	Colour
24	1	Motorwinding 1	Brown
24	2	Motorwinding 2	Red
24	3	Motorwinding 3	Orange

Blower limits during continuous operation and warning



- Max. allowed temperature on heat sink surface: 65° C
- Maximum speed 45'000 1/min
- Heat sink temperature increase at 24 V, freeblowing 25 K
- Heat sink temperature increase at 24 V, static pressure 45 K
- **Handle only in currentless condition**

Power supply requirement

Ripple voltage < 5%
2000 mA

Info

**Specifications are subject to change without notice.
 Specifications on this Datasheet are for reference.**

Version: 04.04.2014 CP

Doc: U51DL-024KK-5 without integrated electronics.doc